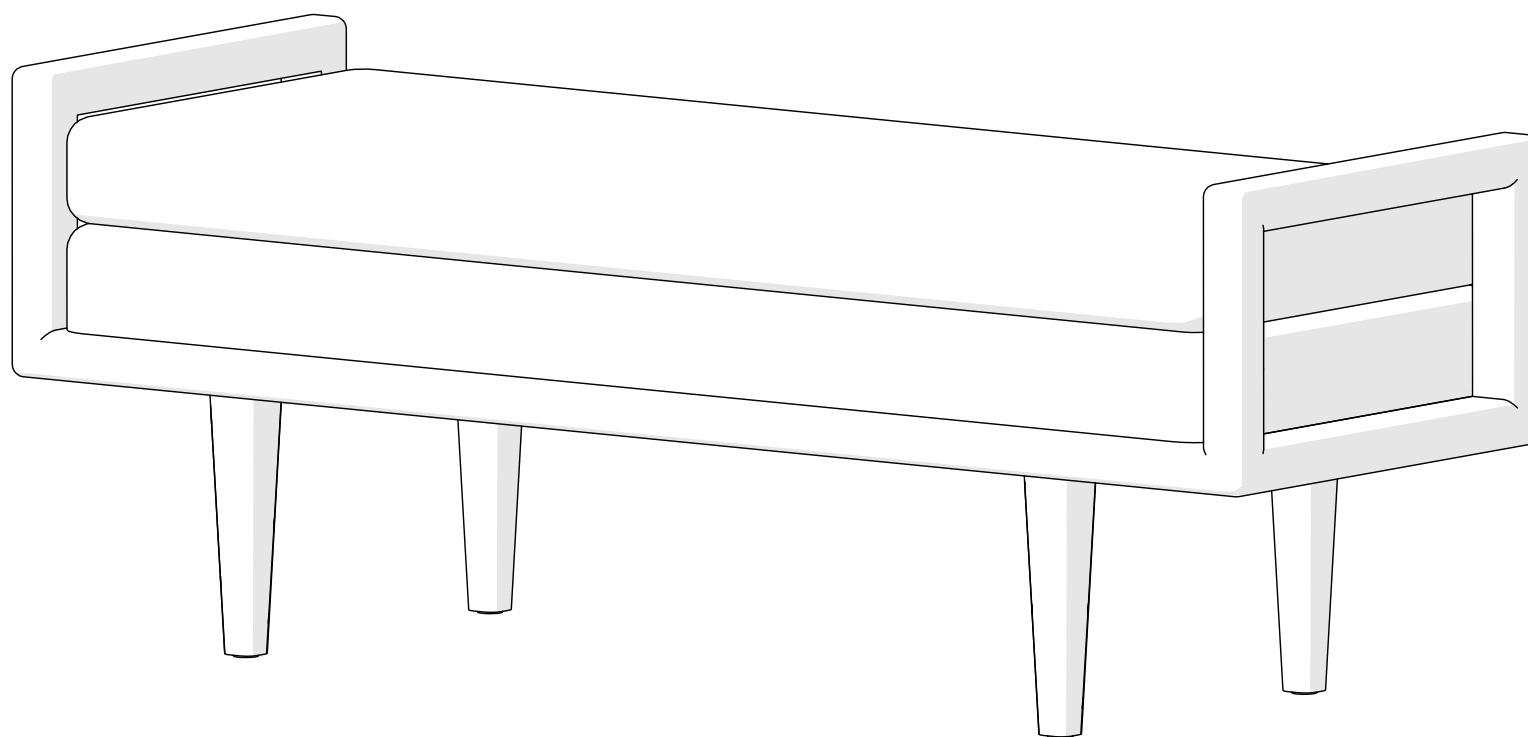


HOMEPop

a Kinfine brand

Style Number : K8684



>>assembly instructions

Congratulations on your latest HomePop purchase.

Now what? Don't start sweating over this box of parts. This will be easy. We did the hard work for you. All you need to do is follow our simple instructions and you'll be on your way to transforming your room in no time. Good luck --though we're confident you won't need it.

before you begin

1. If the item arrived damaged, please contact your original vendor before your return window expires.
2. Check for missing parts. Customers can visit www.homepop.com/parts to request missing parts.
3. Use the carton as a working surface to prevent product damage during assembly.
4. Gather all tools prior to assembly.

table of contents



introduction	2
hardware	4
parts list	5
assembly	6

hardware

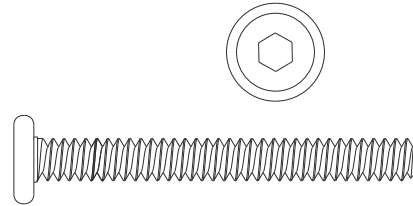
(A) x 1

5/32" Ball end
Hex wrench



(B) x 8

1/4" x 50 mm
round hex screw



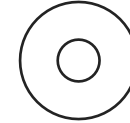
(C) x 8

Φ 6mm lock washer



(D) x 8

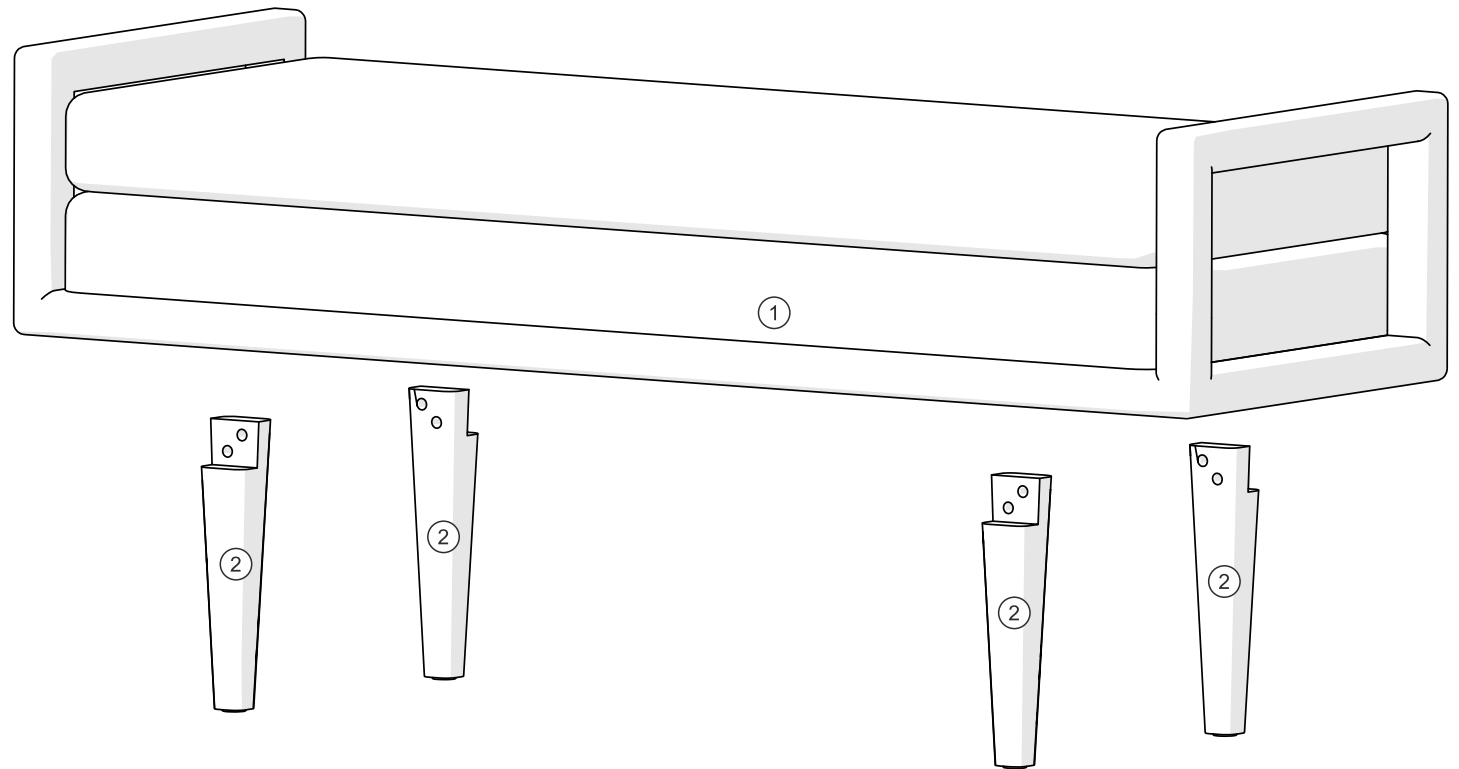
Φ 15mm flat washer



ITEM DESCRIPTION QUANTITY

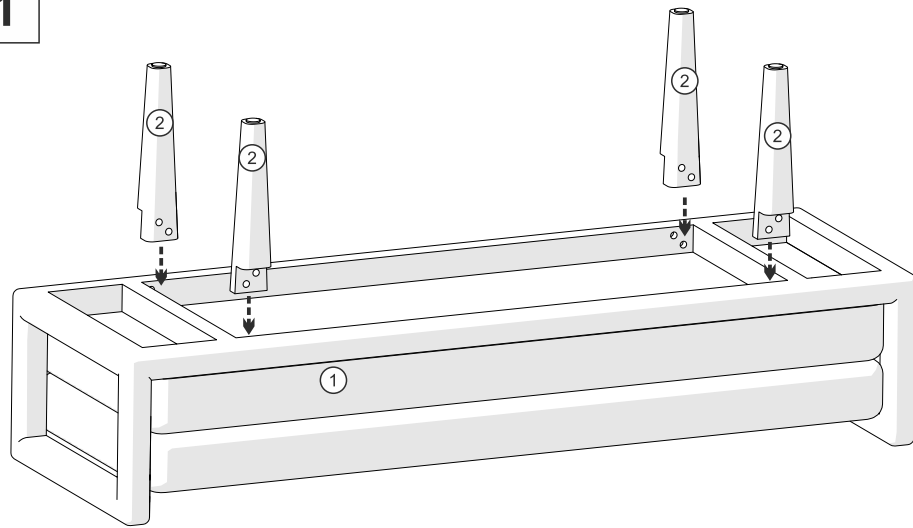


①	box	1
②	leg	4

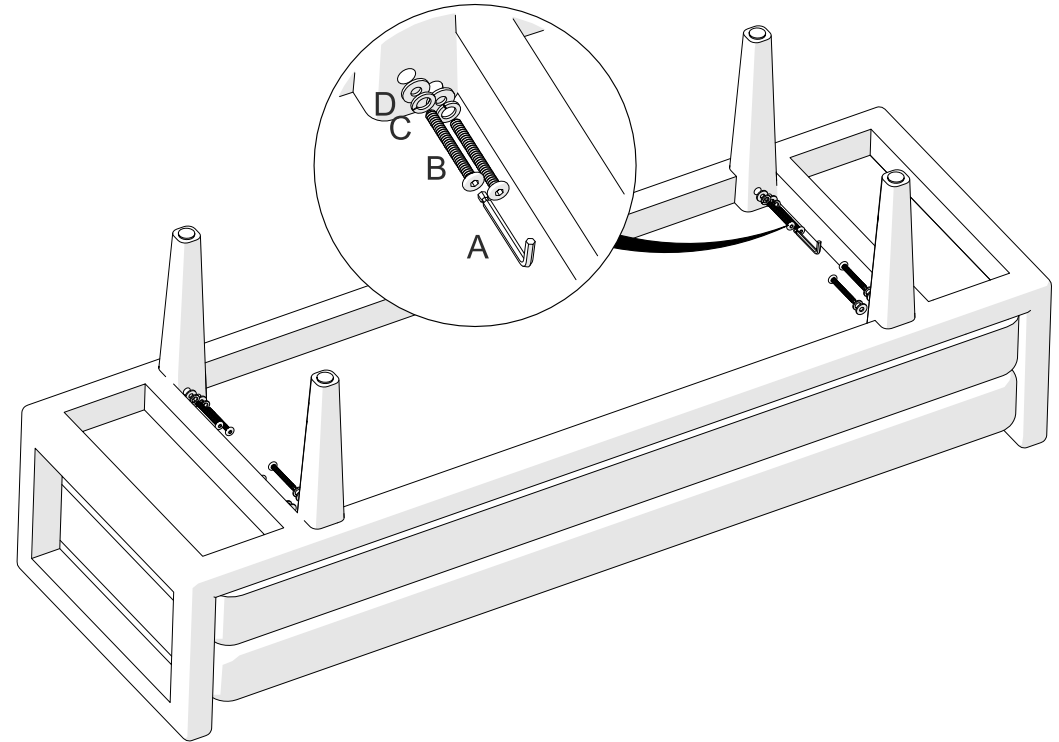


step 1.

1



2



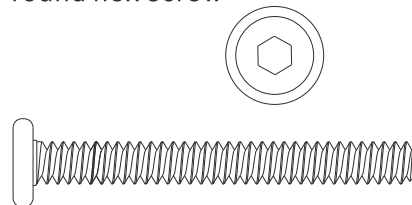
(A) x 1

5/32" Ball end
Hex wrench



(B) x 8

1/4" x 50 mm
round hex screw



(C) x 8

Φ 6mm lock washer



(D) x 8

Φ 15mm flat washer

